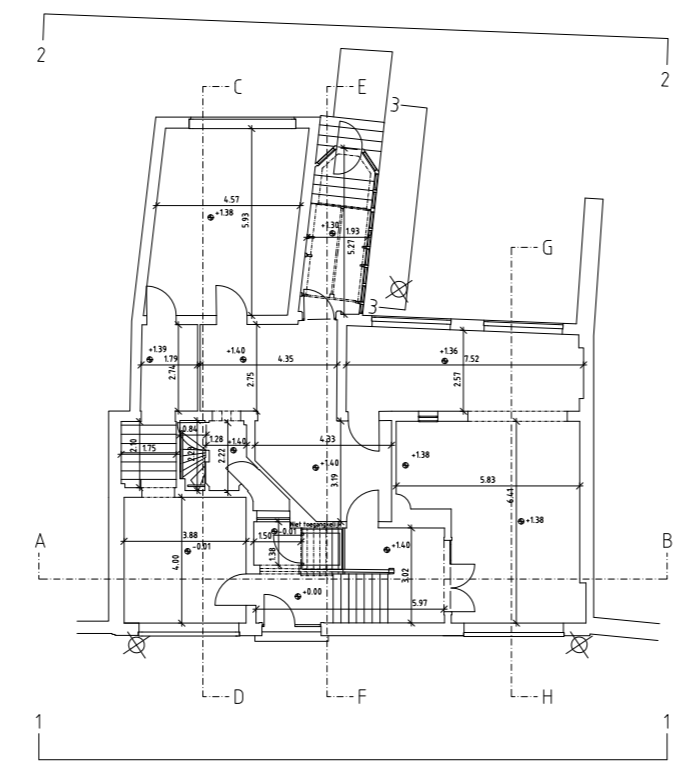
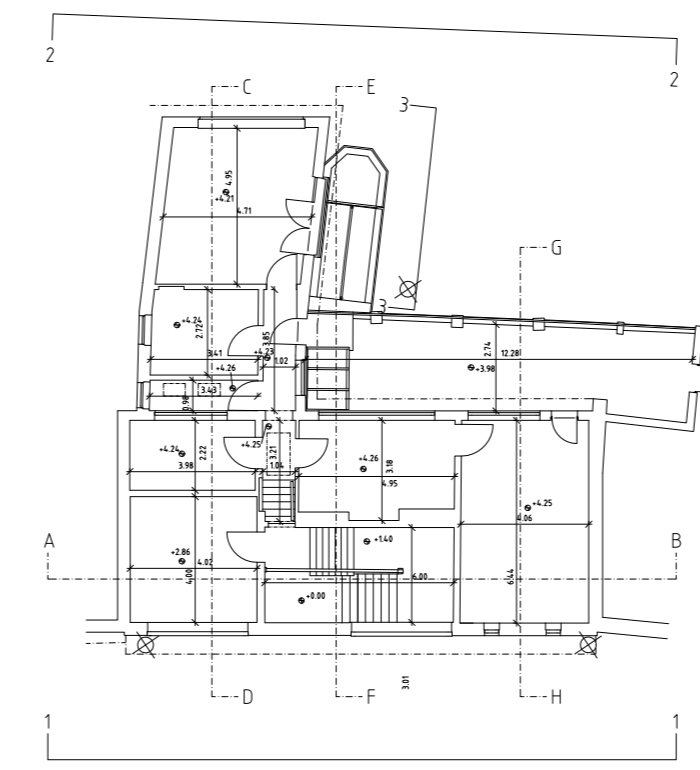


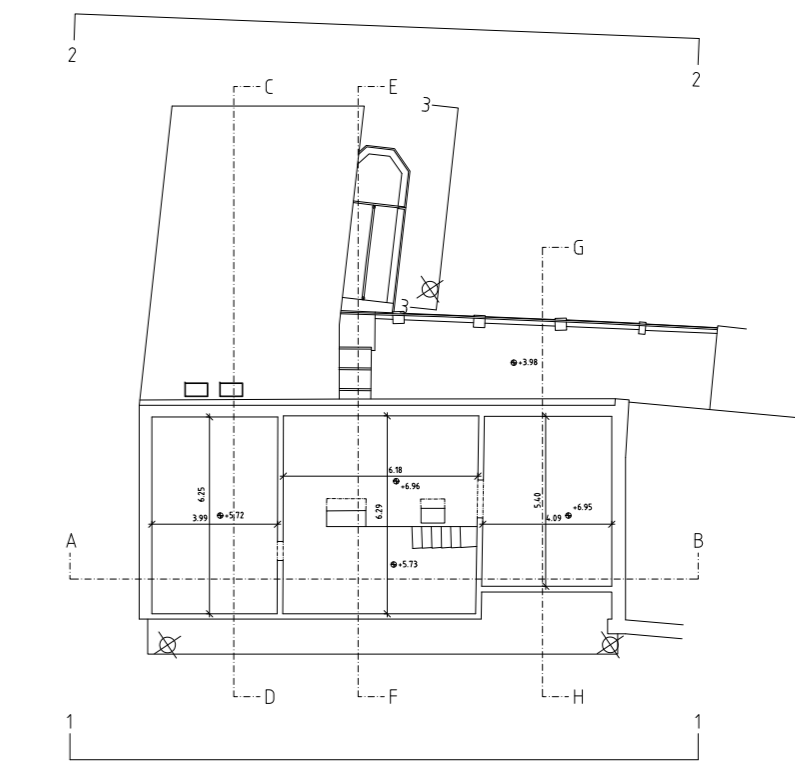
Plan -1



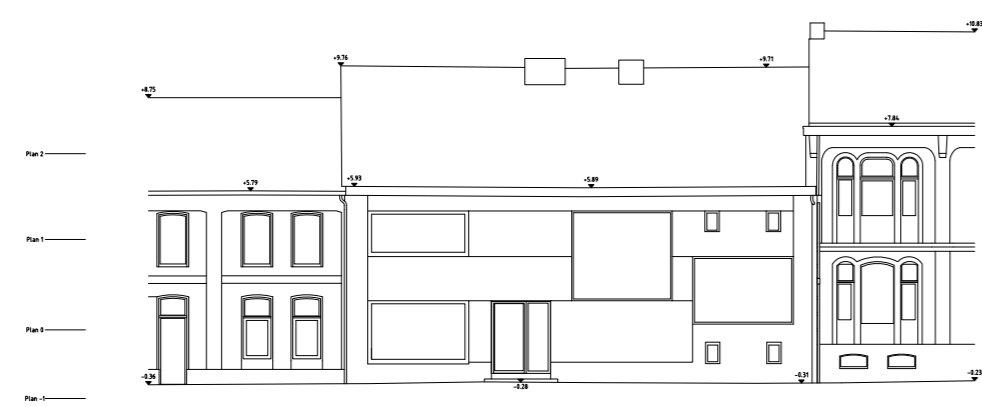
Plan 0



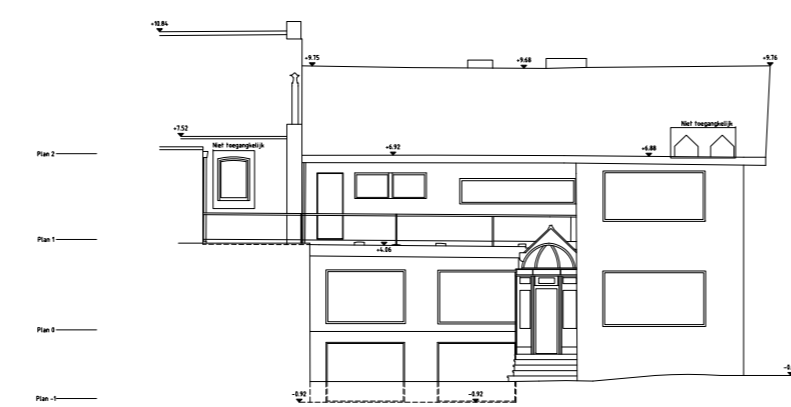
Plan 1



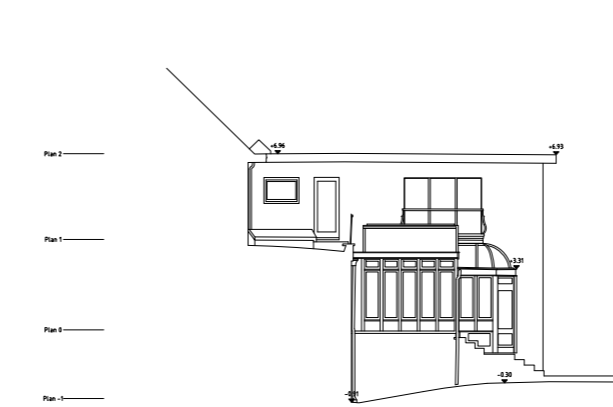
Plan 2



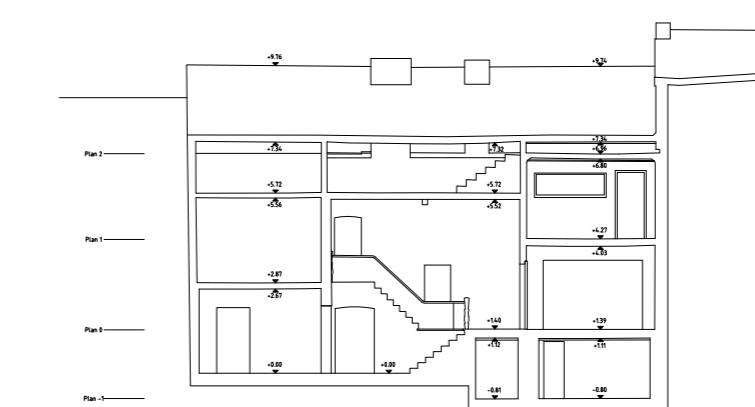
Elevation 1



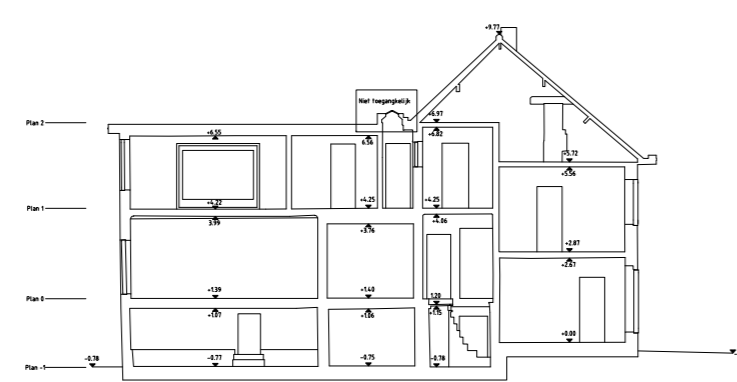
Elevation 2



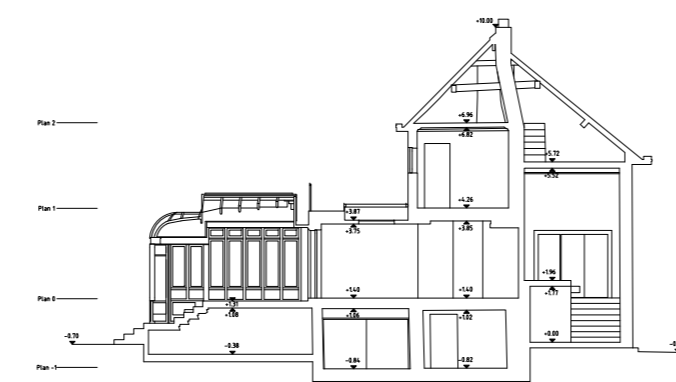
Elevation 3



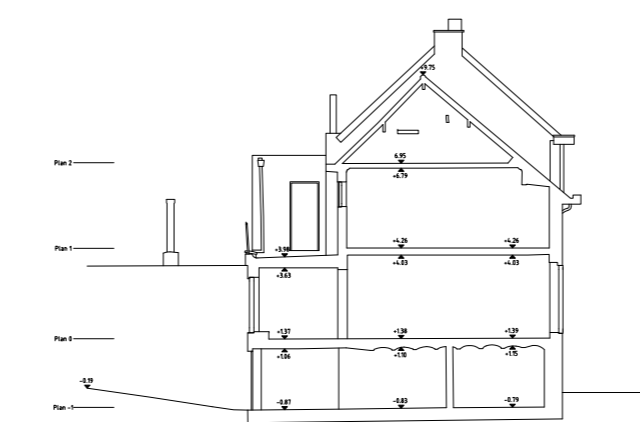
Section AB



Section CD



Section EF



Section GH